



Main Features:-

- ◆ 2PC Full Bore Ball Valve
- ◆ ASME B 16.5. ANSI Class 150
- ◆ Carbon Steel WCB
- ◆ Working Temperature -30 to + 250C *
- ◆ Ball seats PTFE + 25 % Graphite

*Temperature and pressure determined by valve body, seat etc.

Suitable Applications & Approvals:



HVAC



OIL



GAS



INDUSTRY



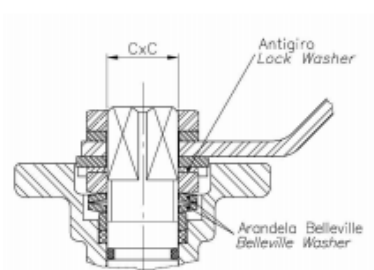
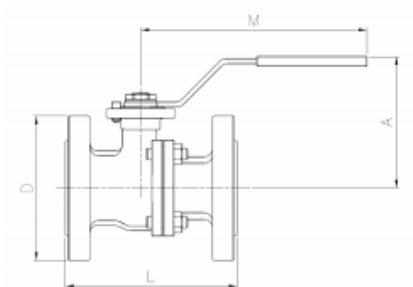
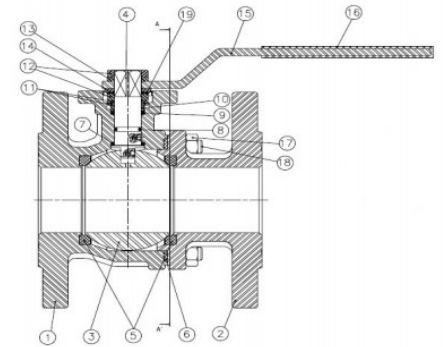
SERIES: 80035

MANUFACTURER: **GENEBRE**

VALVE MATERIALS & DIMENSIONS

ITEM	SECTION	MATERIAL	ADDITIONAL INFO / OPTIONS
1	Body	WCB	Phosphatized
2	Cap	WCB	Phosphatized
3	Ball	SS 316	Spares Part Number: 2907
4	Stem	SS 316	Spares Part Number: 2908
5	Ball Seat	PTFE + 25 GF	Spares Part Number: 2909C
6	Gasket	PTFE + Graphite or SS304 + Graphite	Spares Part Number: 2909C
7	Thrust Washer	PTFE + graphite	Spares Part Number: 2909C
8	O Ring	FKM	Spares Part Number: 2909C

REF	SIZE	D	A	L	M	ISO	Class	CxC	Kg
80035-04	1/2"	89	90	108	165	F04	150	9x9	1.5
80035-05	3/4"	98.6	95	117	165	F04/F05	150	9x9	2.15
80035-06	1"	108	95	127	165	F04/F05	150	11x11	2.87
80035-07	1 1/4"	117	106	140	165	F05/F07	150	14x14	3.95
80035-08	1 1/2"	127	110	165	200	F05/F07	150	14x14	5.8
80035-09	2"	152.5	118	178	200	F05/F07	150	14x14	8.4
80035-10	2 1/2"	177.8	160	190	400	F07/F010	150	17x17	13.5
80035-11	3"	190.5	170	203	400	F07/F010	150	17x17	17.8
80035-12	4"	228.6	186	229	400	F07/F010	150	17x17	30.5
80035-14	6"	279.4	280	394	800	F010/F012	150	27x27	58



T +44 (0)1386 552369

E sales@allvalves.co.uk

W www.allvalves.co.uk

F +44 (0)1386



Genebre are a global brand of industrial valves with large stocks held for fast delivery on various type of valves, sizes, end connections and materials.

SERIES: 80035

TORQUE / Kv VALUES / PRESSURE & TEMP CHART

REF	SIZE	TORQUE Nm	REF	SIZE	Kv
80035-04	1/2"	4-5	80035-04	1/2"	17
80035-05	3/4"	7-8	80035-05	3/4"	38
80035-06	1"	9-10	80035-06	1"	62
80035-07	1 1/4"	12-14	80035-07	1 1/4"	115
80035-08	1 1/2"	18-20	80035-08	1 1/2"	150
80035-09	2"	28-30	80035-09	2"	250
80035-10	2 1/2"	34-36	80035-10	2 1/2"	410
80035-11	3"	58-60	80035-11	3"	900
80035-12	4"	90-95	80035-12	4"	1450
80035-14	6"	190-210	80035-14	6"	3700

TORQUE :

- The liquid listed in the table are initial breakaway torques, taken with liquids and lubricant media.

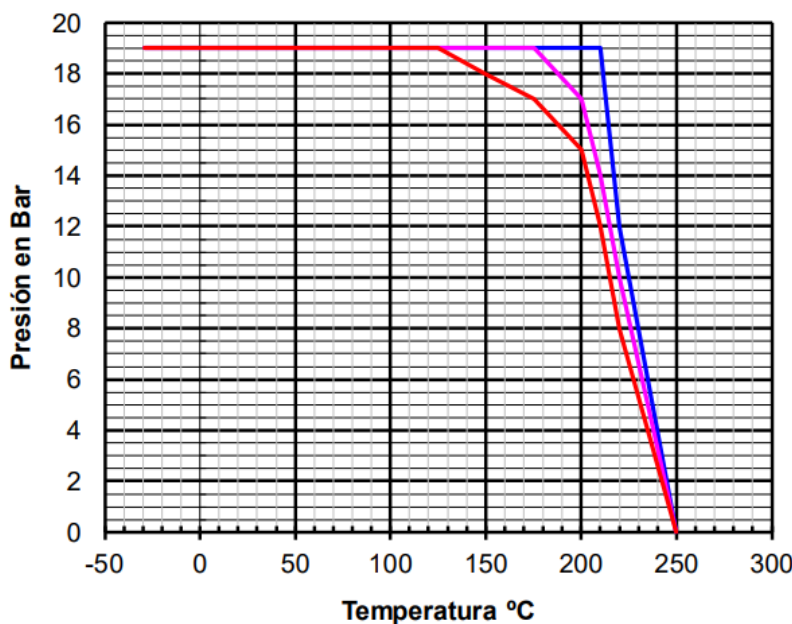
- Please regard these as approximate values, as the objective value on different factors like pressure, medium, rubber,

KV VALUES:

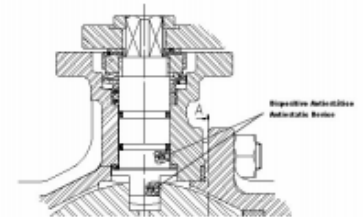
- The Kv values (M3 per hour) is the flow of water at a temperature of 5C to 30C (41F to 86F) at p of 1 bar

- For further information, please email sales@allvalves.co.uk

PRESSURE AND TEMPERATURE CHART



Antistatic Device



This device guarantees the electric continuity between Ball - Stem - Body, this is of special need with inflammable fluids.

ALL VALVES

AllValves Online™ have used decades of experience in the valve industry to select a range of products that match the Allvalves Online ethos - value for money. All Valves Products are from reputable sources and have been sold in significant quantities for many years, are installed in a wide variety of applications, and are known to be durable in service.



T +44 (0)1386 552369

E sales@allvalves.co.uk

W www.allvalves.co.uk

F +44 (0)1386